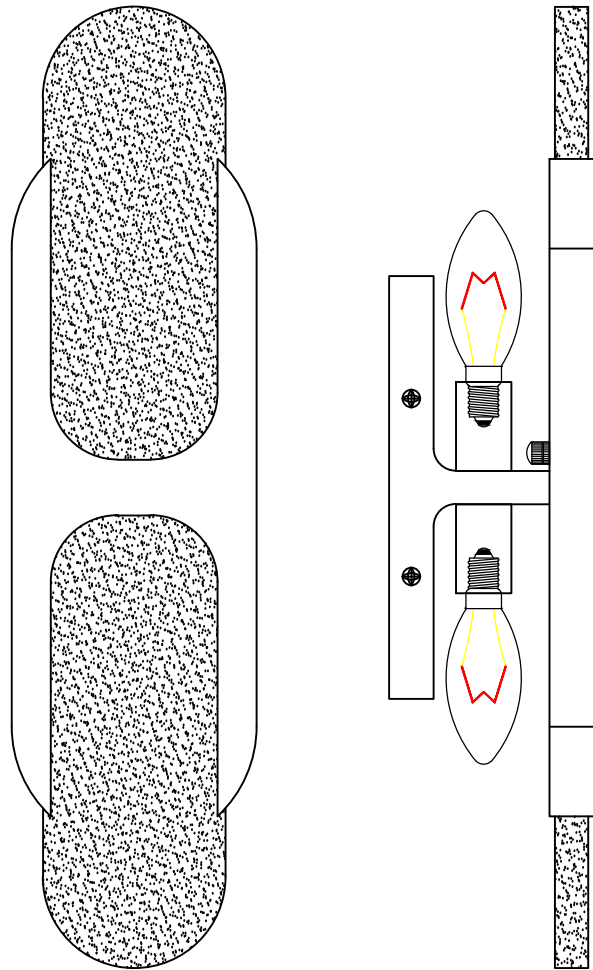


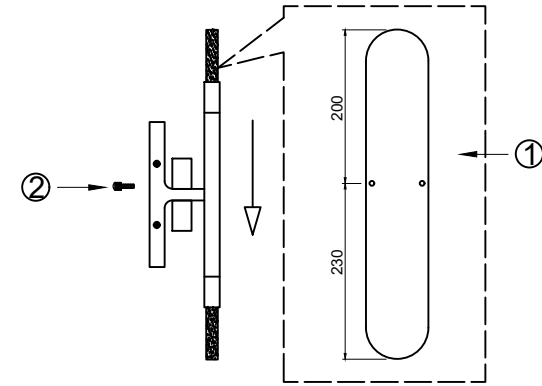
▶ PRODUCT DETAIL



▶ INSTALLATION STEPS

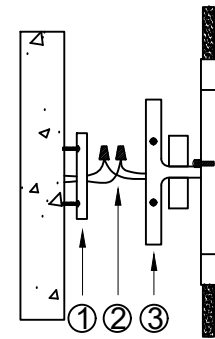
1 STEP ONE

1. Place the alabaster panel into the U-shaped channel of the fixture body from the longer side (approx. 9.06").
2. Secure the alabaster panel from inside the fixture using the decorative finial screws. Align the screws with the holes on the alabaster panel and tighten them so they recess neatly into the panel.



2 STEP TWO

1. Turn off the power supply and install the mounting plate onto the junction box.
2. Connect the fixture wiring to the building power supply.
3. Mount the fixture onto the mounting plate and secure it firmly.



3 STEP THREE

1. Install two E12 bulbs and restore power.

