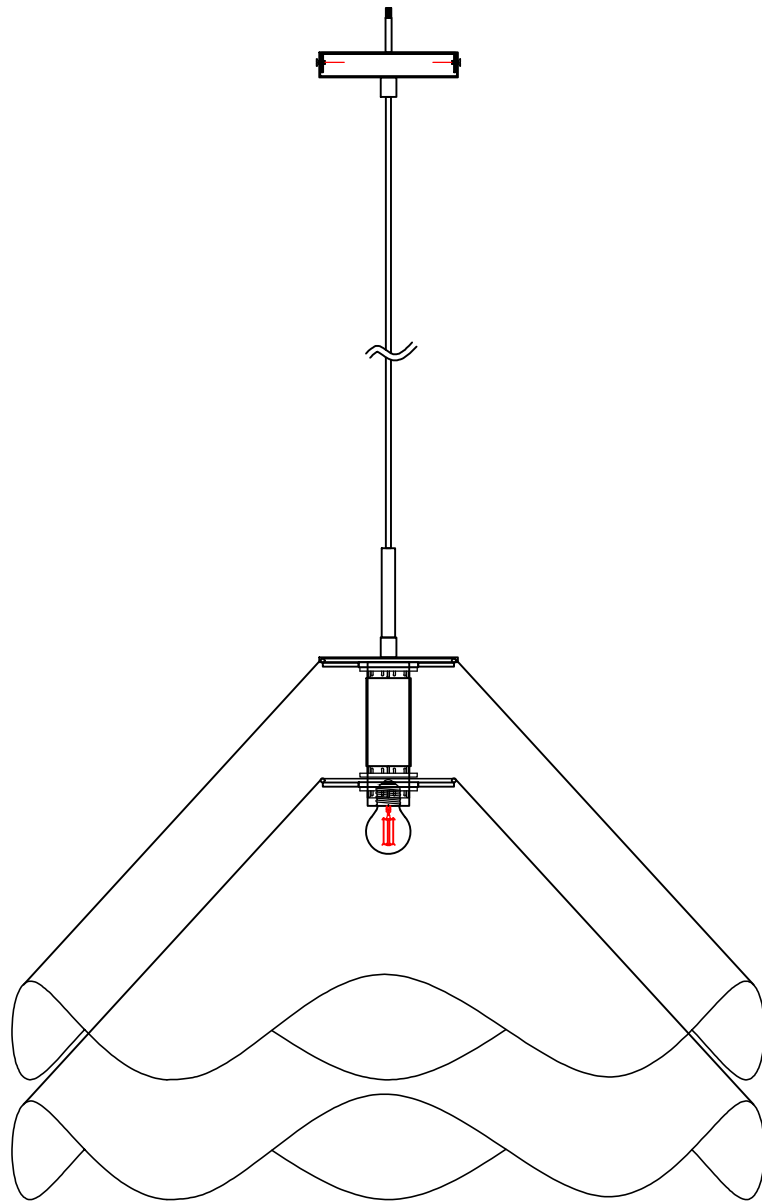


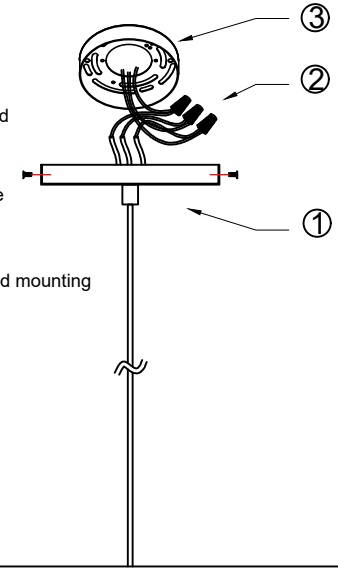
▶ PRODUCT DETAIL



▶ INSTALLATION STEPS

1 STEP ONE

1. Turn off the power. Use two M4*40mm screws to install the round bagua mounting plate onto the ceiling junction box and secure it tightly.
2. The wires from the junction box are connected to the wires of the lamp.
3. Use two M4*10mm screws to install the lamp body onto the round mounting plate and tighten them.



2 STEP TWO

1. Place the striped lampshade at the bottom of the lamp holder ring.
2. Use a round tube to support the lampshade.
3. Use an aluminum ring to lock onto the lamp holder and secure the lampshade tightly.
4. Place the second striped lampshade onto the lamp head tube.
5. Use the aluminum ring to secure the second striped lampshade, and finally adjust the direction of the two lampshades so that they are in the proper position.
6. Install E26 bulbs, turn on the power.

