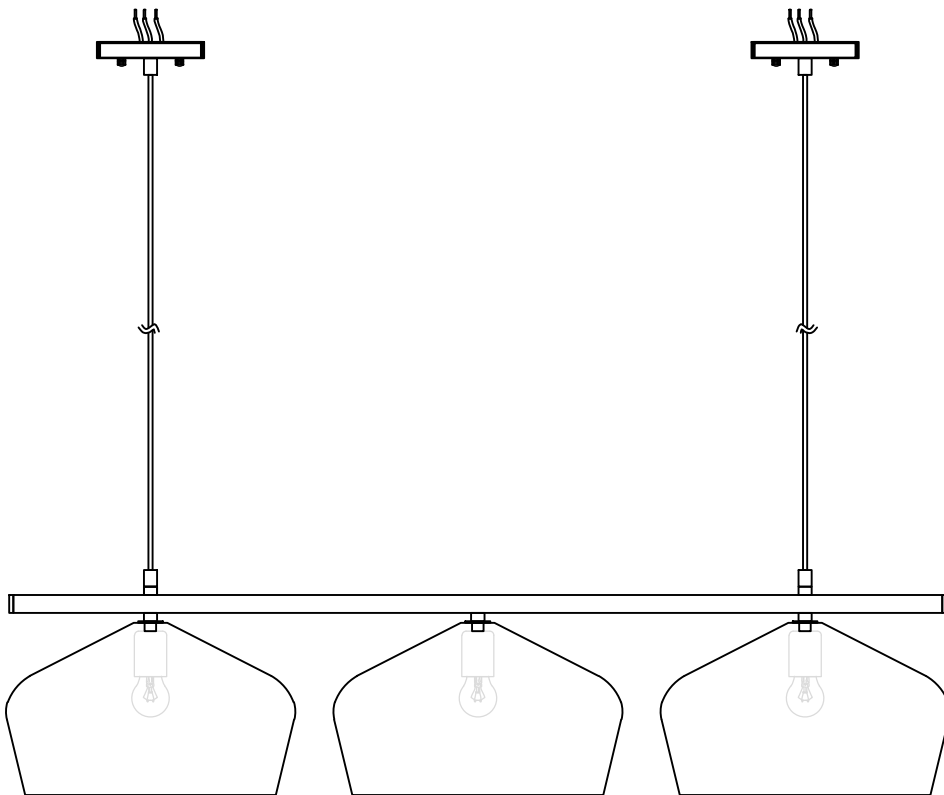


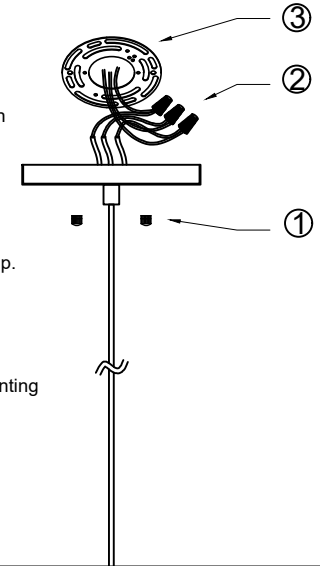
▶ PRODUCT DETAIL



▶ INSTALLATION STEPS

1 STEP ONE

1. Turn off the power. Measure the distance between the two wires on the lamp body, then drill a hole to install the junction box. Use 4 M4\*40mm screws to install the two round bagua mounting plates onto the ceiling junction box and secure them tightly.
2. The wires in the junction box are connected to the wires of the lamp.
3. Use 2 M4 light screws to attach the light body to the 2 circular mounting plate and tighten them.



2 STEP TWO

1. Use a screwdriver to loosen the two light locks at the bottom of the ceiling plate, then manually adjust the length of the wires so that the entire light is in the proper position (with a distance of 7 feet from the floor to the bottom of the chandelier).
2. Install three E26 blubs, after turn on the power.

