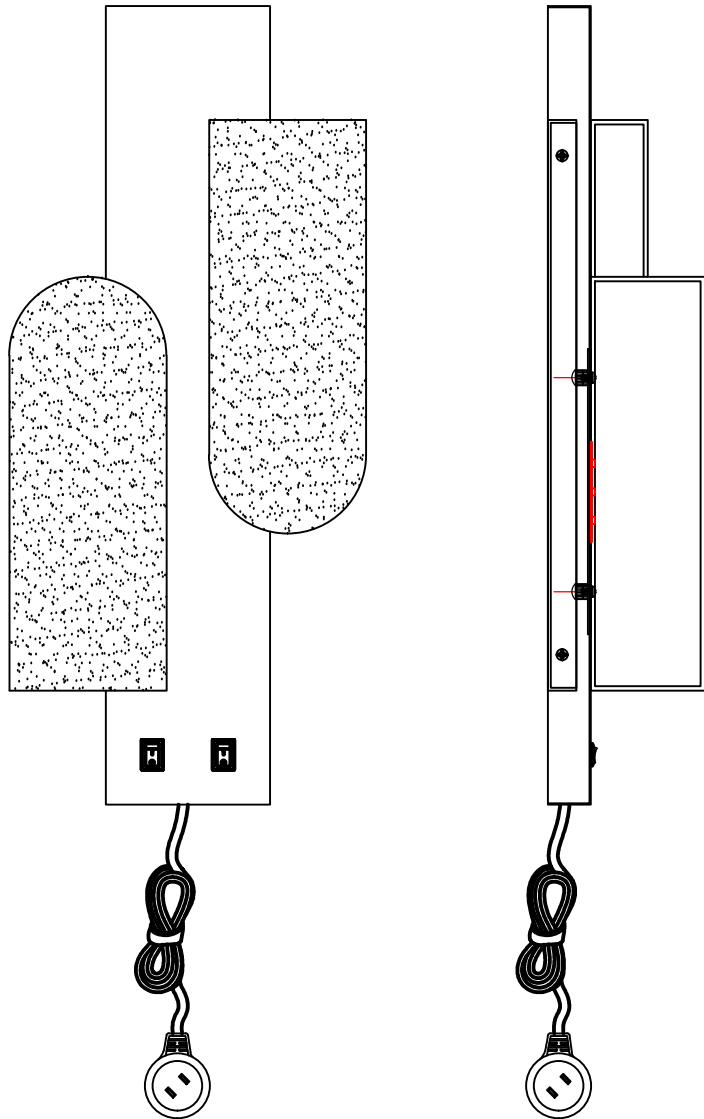


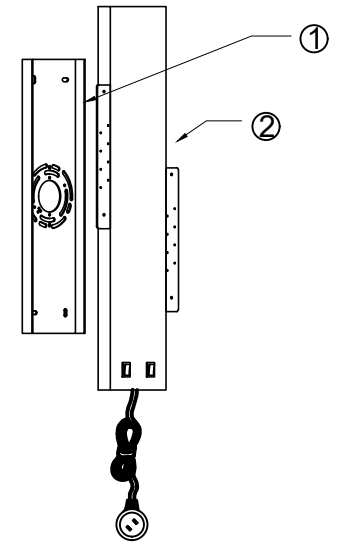
▶ PRODUCT DETAIL



▶ INSTALLATION STEPS

1 STEP ONE

- ① . Place install the mounting plate in this wall on top.
- ② . Mount the fixture onto the mounting plate and secure it firmly.



2 STEP TWO

- ① . Place acrylic shade install self-tapping screws on right .
- ② . Place height acrylic shade install self-tapping screws on left.
- ③ . Place plug to plug socket on top.
- ④ . Turn on two switch.

