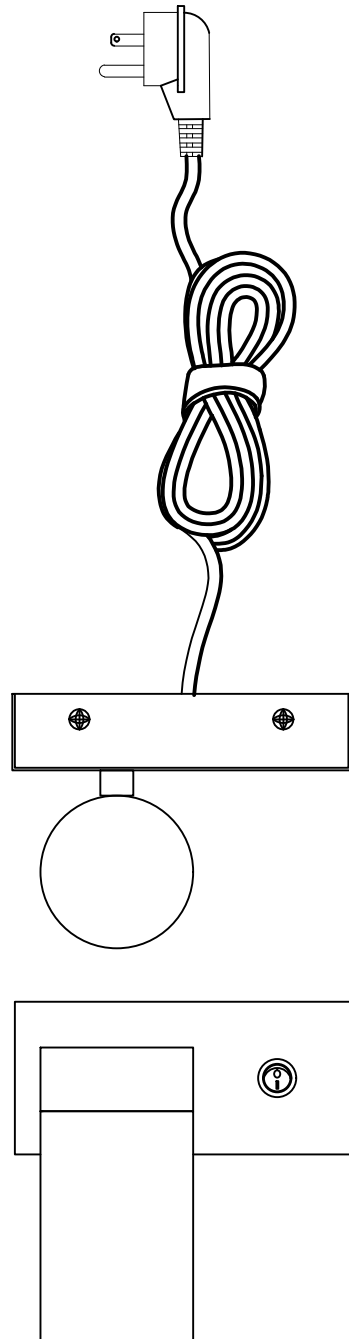
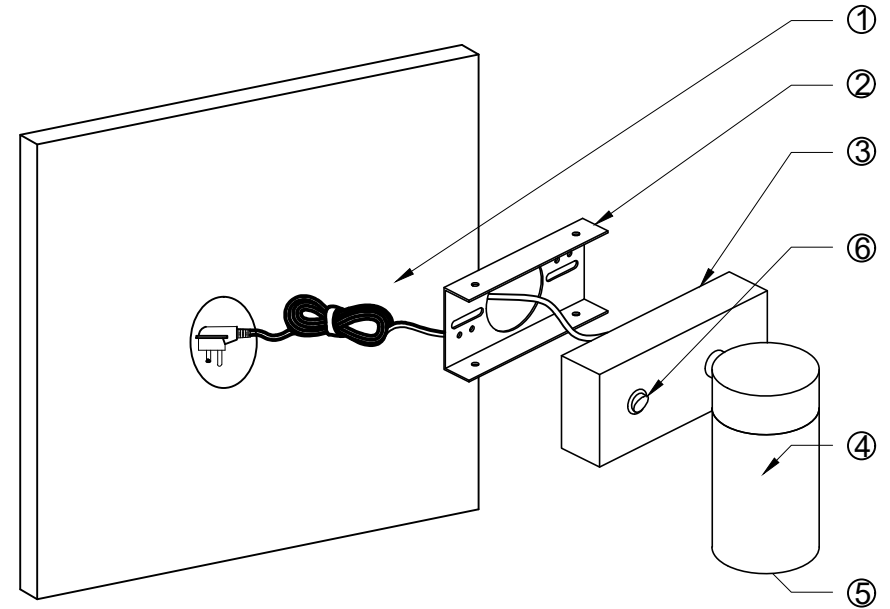


▶ PRODUCT DETAIL



▶ INSTALLATION STEPS

1 STEP ONE



- ① . Pass the plug cord through the round hole on the headboard, and then plug the cord into the socket.
- ② . Install the rectangular hanging board onto the headboard.
- ③ . Install the lamp body onto the mounting plate.
- ④ . Unscrew the metal lampshade knob and then install the G9 bulb.
- ⑤ . Screw the metal lampshade knob in.
- ⑥ . Turn on the switch on the panel.