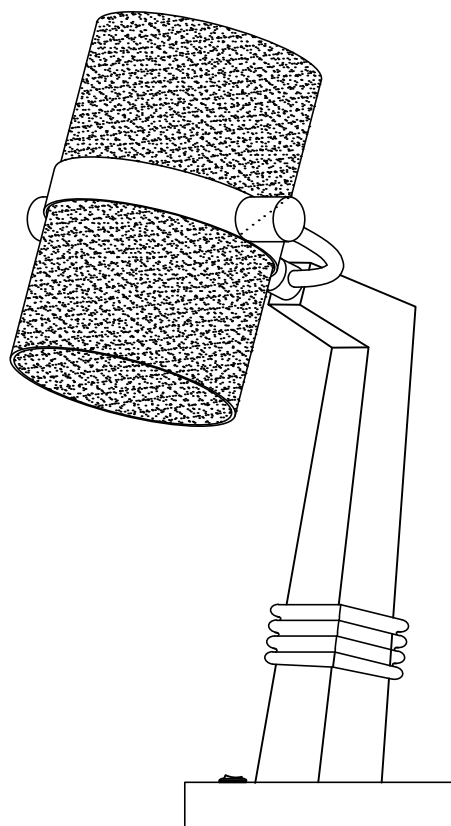
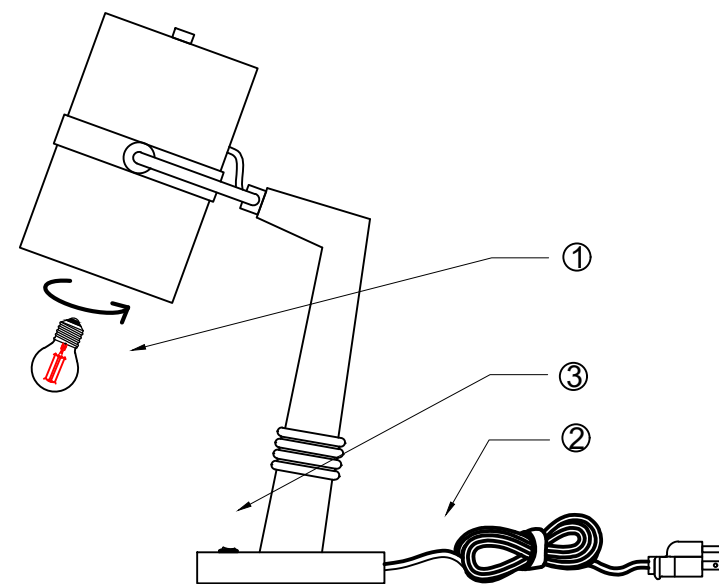


▶ PRODUCT DETAIL



▶ INSTALLATION STEPS

1 STEP ONE



- ① . Install E26 blubs.
- ② . Plug the plug into the wall socket.
- ③ . Turn on the switch on the base.