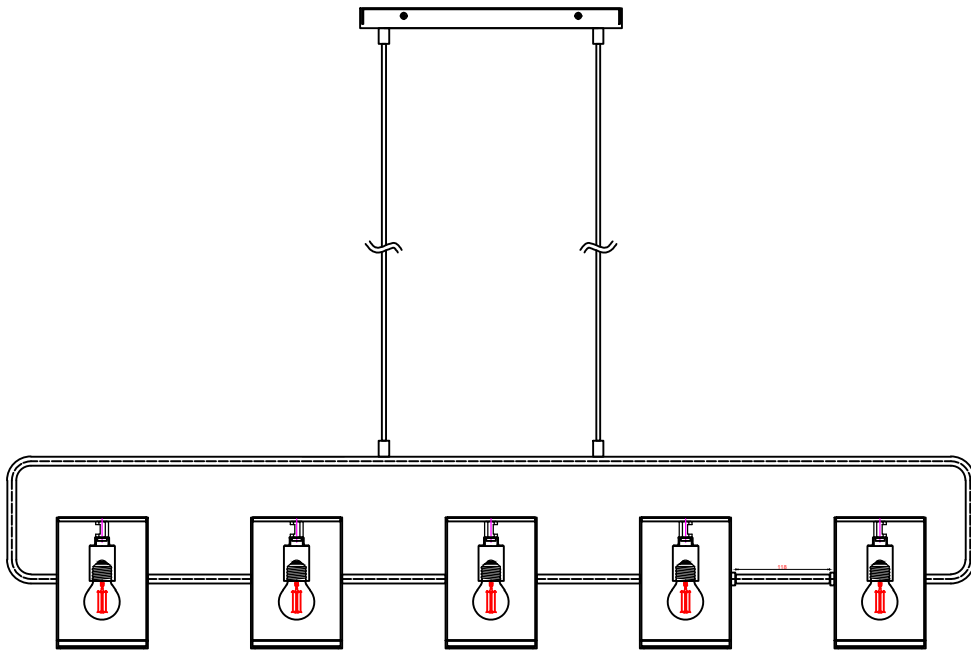


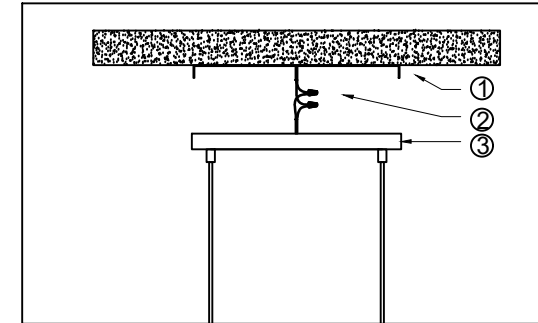
▶ PRODUCT DETAIL



▶ INSTALLATION STEPS

1 STEP ONE

- ① Turn off the power, mount the mounting plate onto install wall.
- ② Mount the mounting plate onto install wall.
- ③ Mount the fixture onto the mounting plate and secure it firmly.



2 STEP TWO

- ① Adjust the five round cover, then install five E26 bulbs.
- ② Anew adjust the five round cover.

