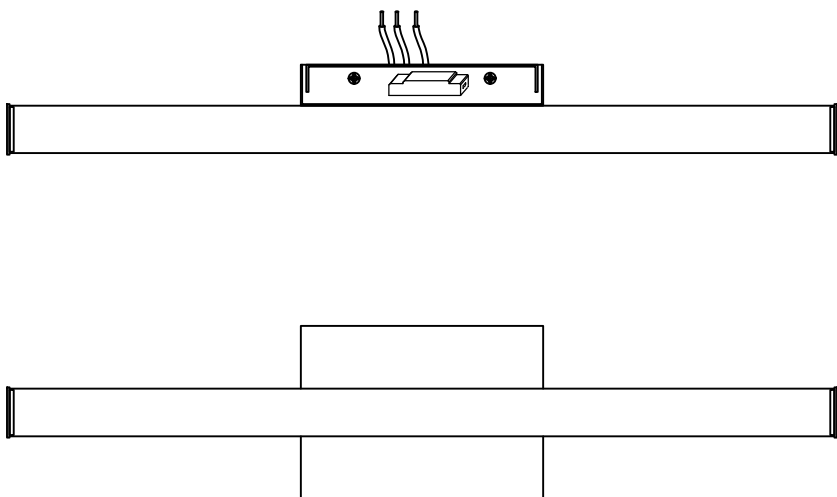


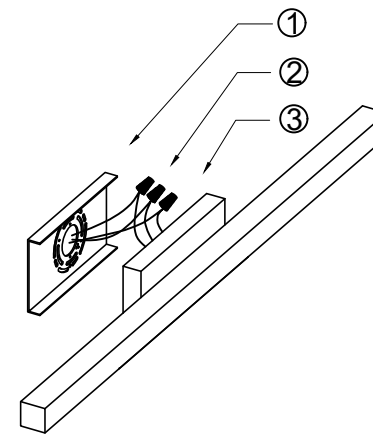
▶ PRODUCT DETAIL



▶ INSTALLATION STEPS

1 STEP ONE

1. Turn off the power. Use M4*40mm screws to install the rectangular Bagua wall plate onto the wall junction box.
2. The wires in the junction box are connected to the wires of the lamp.
3. Use 4 M4*10mm screws to mount the lamp body onto the rectangular bagua hanging board.



2 STEP TWO

1. Turn on the power.

