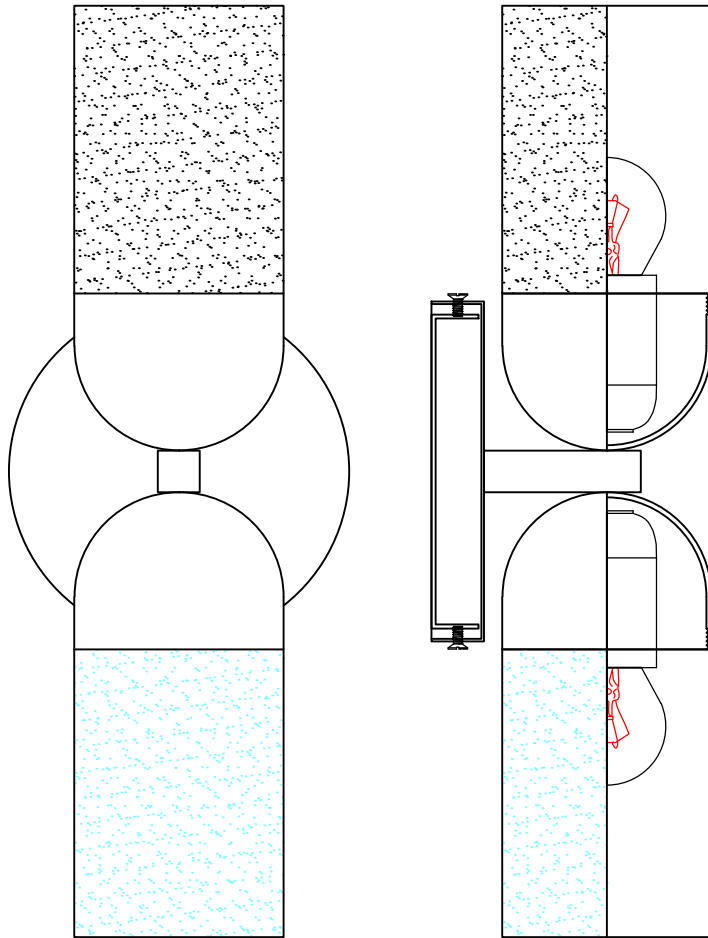


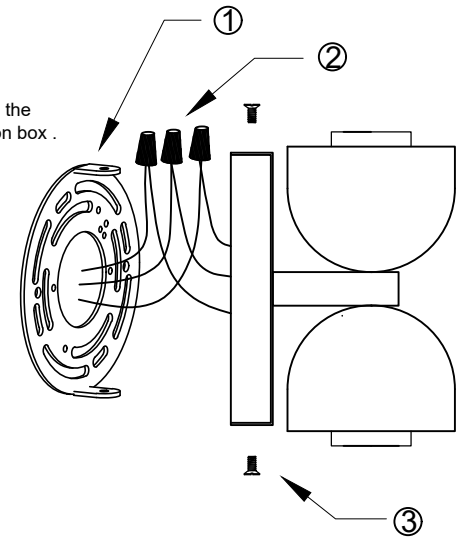
▶ PRODUCT DETAIL



▶ INSTALLATION STEPS

1 STEP ONE

1. Turn off the power. Use M4\*40mm screws to install the round Bagua mounting plate onto the ceiling junction box .
2. The wires in the junction box are connected to the wires of the lamp.
3. Use 2 M4\*10mm screws to attach the light body to the circular mounting plate and tighten them.



2 STEP TWO

1. Install two E26 blubs.
2. Install the frosted acrylic lampshade on top (insert the knob)
3. Next, install the blue metal lampshade (insert the knob)

