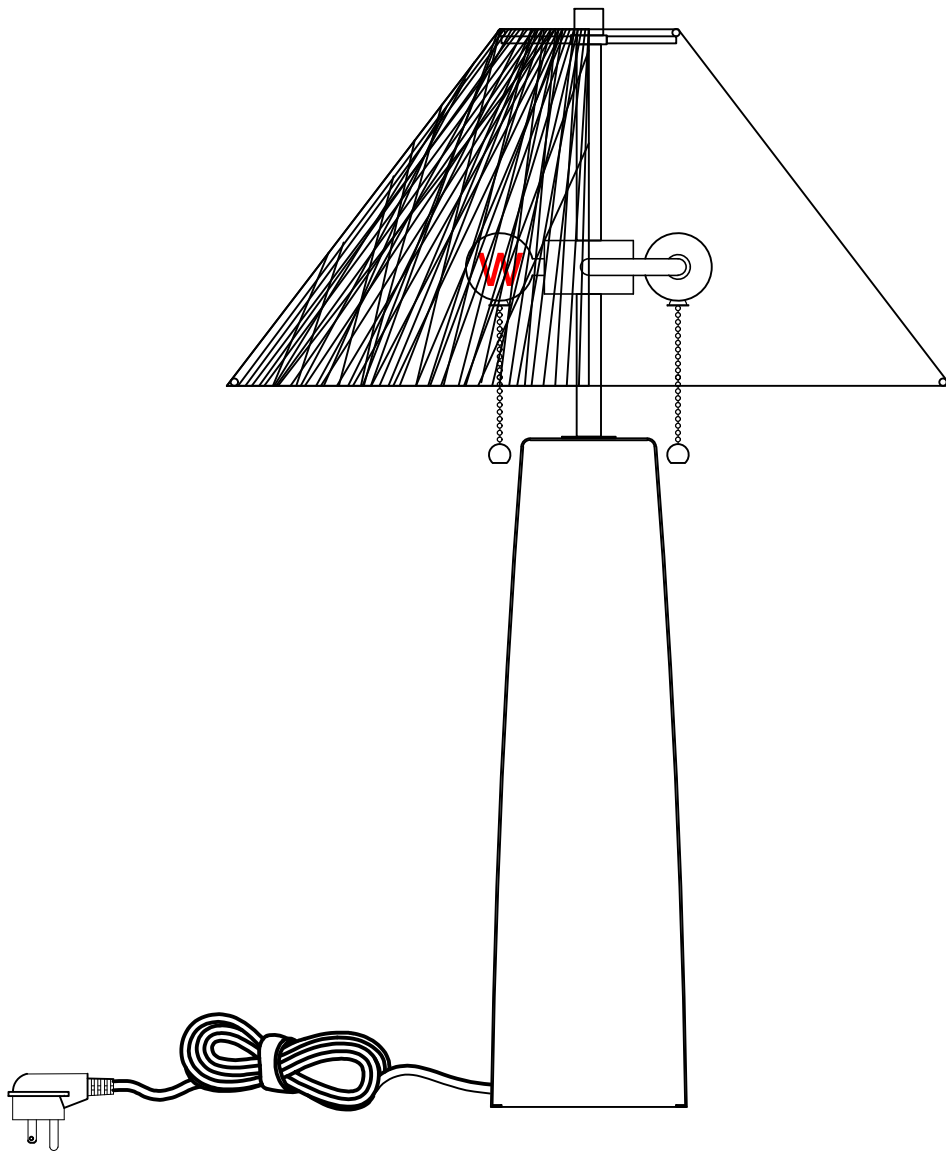


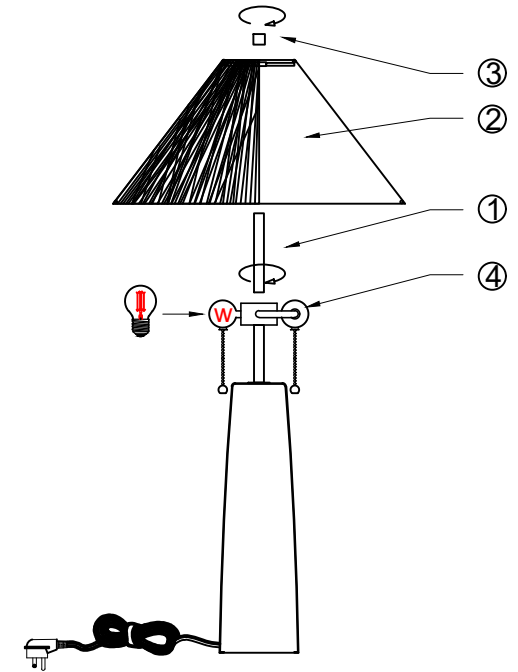
▶ PRODUCT DETAIL



▶ INSTALLATION STEPS

1 STEP ONE

- ① . Put the round tube knob on the lamp.
- ② . Put the lampshade on the round tube.
- ③ . Use a lamp lock to fix the lampshade onto the round tube.
- ④ . Put 2 E26 bulbs install on the lamp head.



2 STEP TWO

- ① . Place plug to plug the wall socket on top.
- ② . Pull the two switches to turn on the light source.

