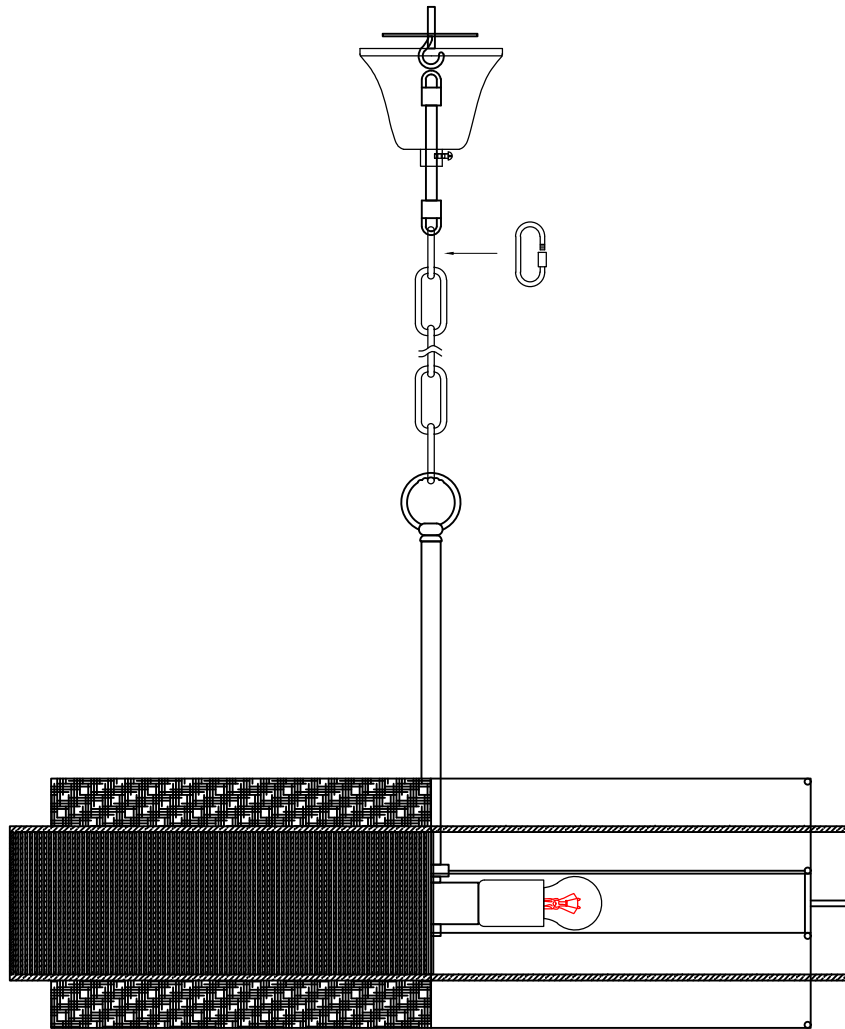


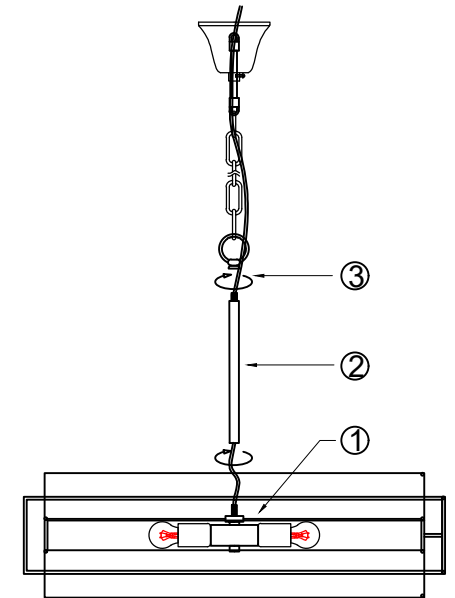
▶ PRODUCT DETAIL



▶ INSTALLATION STEPS

**1** STEP ONE

1. Place the lamp holder and fixture body beneath the shade, aligned with the center opening. Feed the clear power cord through the shade, rope-covered tube, suspension chain, and canopy.
2. Secure the shade and fixture body firmly using the rope-covered tube.
3. Slide the suspension chain upward into the rope-covered tube and tighten securely.



**2** STEP TWO

1. Turn off power. Install the mounting plate to the ceiling using M4 × 1" self-tapping screws.
2. Connect the fixture wiring to the building power supply.
3. Hang the fixture onto the mounting plate. Slide the canopy up to the ceiling and secure with screws.
4. Adjust the suspension chain height by loosening the adjustable link, then retighten.
5. Install four E26 bulbs and turn on power.

