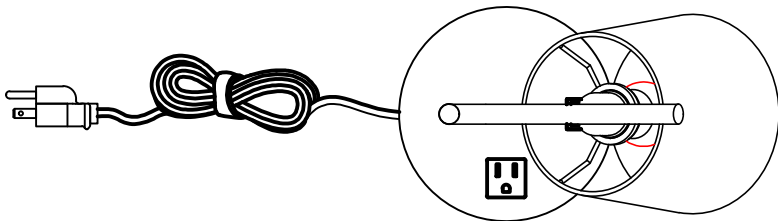
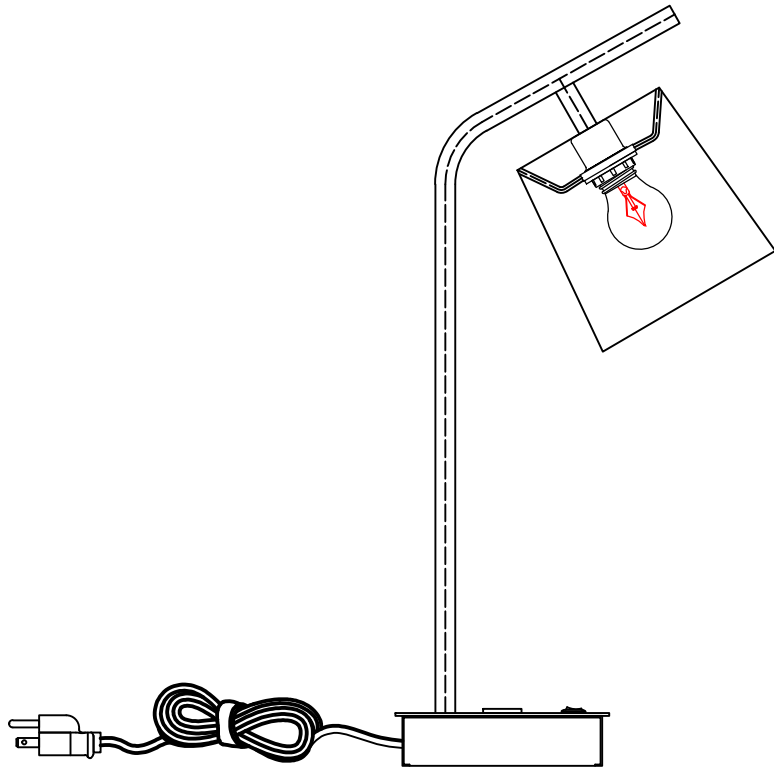


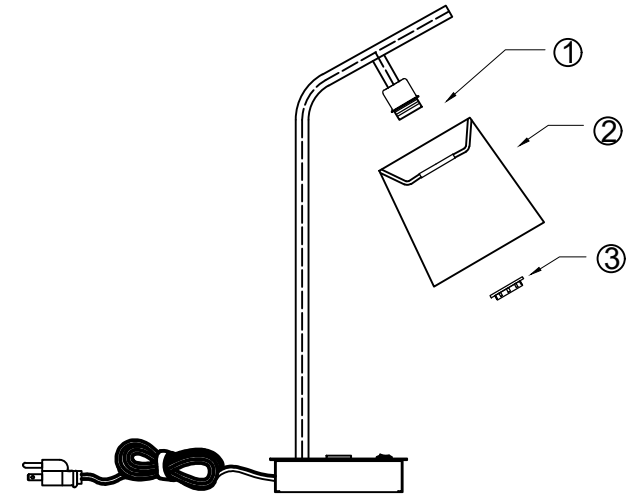
▶ PRODUCT DETAIL



▶ INSTALLATION STEPS

1 STEP ONE

- ① . Take lamp head.
- ② . Take shade of lamp head.
- ③ . Use lamp head take in shade.



2 STEP TWO

- ① . Install E12 bulbs.
- ② . Plug the plug into the wall socket.
- ③ . Turn on the switch on the base.

